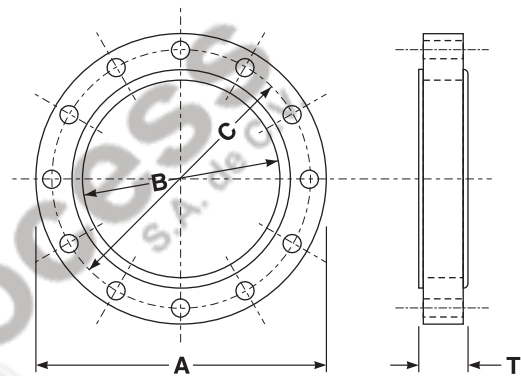


HOSE TEC™ Forged Raised Face Slip-On Flanges

Chemicals/Petroleum • Construction • Material Handling

300# Carbon Steel Forged ANSI B16.5 & ASTM A-105



300# Carbon Steel Forged Raised Face Slip-on Flanges

Nom. Size	Part Number	"A" O. D.	"T" Thickness	"B" Bore	No. of Bolt Holes	Dia. of Bolt Holes	"C" Circle	Weight (lbs)	List Price
1/2"	CSRF3000050	3 3/4"	7/8"	0.88"	4	5/8"	2 5/8"	1.92	
3/4"	CSRF3000075	4 5/8"	1"	1.09"	4	3/4"	3 1/4"	2.53	
1"	CSRF3000100	4 7/8"	1 1/16"	1.36"	4	3/4"	3 1/2"	3.09	
1 1/4"	CSRF3000125	5 1/4"	1 1/16"	1.70"	4	3/4"	3 7/8"	3.56	
1 1/2"	CSRF3000150	6 1/8"	1 3/16"	1.95"	4	7/8"	4 1/2"	5.01	
2"	CSRF3000200	6 1/2"	1 5/16"	2.44"	8	3/4"	5"	7.05	
2 1/2"	CSRF3000250	7 1/2"	1 1/2"	2.94"	8	7/8"	5 7/8"	9.92	
3"	CSRF3000300	8 1/4"	1 11/16"	3.57"	8	7/8"	6 5/8"	13.01	
4"	CSRF3000400	10"	1 7/8"	4.57"	8	7/8"	7 7/8"	22.05	
5"	CSRF3000500	11"	2"	5.66"	8	7/8"	9 1/4"	28.00	
6"	CSRF3000600	12 1/2"	1 1/16"	6.72"	12	7/8"	10 5/8"	39.02	
8"	CSRF3000800	15"	2 7/16"	8.72"	12	1"	13"	57.98	
10"	CSRF3001000	17 1/2"	2 5/8"	10.88"	16	1 1/8"	15 1/4"	80.91	
12"	CSRF3001200	20 1/2"	2 7/8"	12.88"	16	1 1/4"	17 3/4"	115.08	
14"	CSRF3001400	23"	3"	14.14"	20	1 1/4"	20 1/4"	162.08	
16"	CSRF3001600	25 1/2"	3 1/4"	16.16"	20	1 3/8"	22 1/2"	228.28	
18"	CSRF3001800	28"	3 1/2"	18.18"	24	1 3/8"	24 3/4"	321.52	

All prices and specifications subject to change without notice.