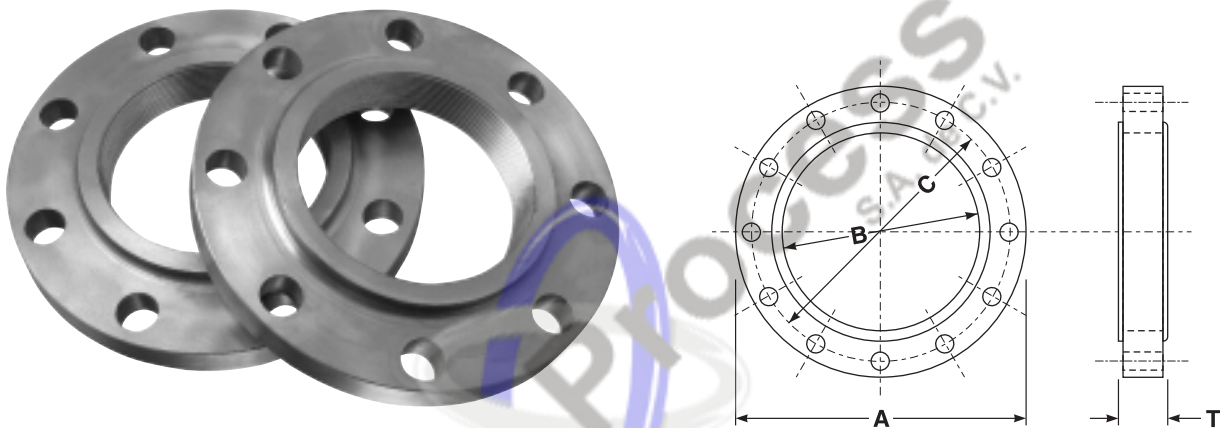


HOSE TEC™ Forged Threaded Flanges

Chemicals/Petroleum • Construction • Material Handling



150# Carbon Steel Forged ANSI B16.5 & ASTM A-105



150# Carbon Steel Forged Threaded Flanges

Nom. Size	Part Number	"A" O. D.	"T" Thickness	"B" Bore	No. of Bolt Holes	Dia. of Bolt Holes	"C" Circle	Weight (lbs)	List Price
1/2"	CSRFTHD1500050	3 1/2"	5/8"	0.88"	4	5/8"	2 3/8"	1.10	
3/4"	CSRFTHD1500075	3 7/8"	5/8"	1.09"	4	5/8"	2 3/4"	1.98	
1"	CSRFTHD1500100	4 1/4"	3/4"	1.36"	4	5/8"	3 1/8"	2.18	
1 1/4"	CSRFTHD1500125	4 5/8"	7/8"	1.70"	4	5/8"	3 1/2"	3.09	
1 1/2"	CSRFTHD1500150	5"	7/8"	1.95"	4	5/8"	3 7/8"	3.60	
2"	CSRFTHD1500200	6"	1"	2.44"	4	3/4"	4 3/4"	5.07	
2 1/2"	CSRFTHD1500250	7"	1 1/8"	2.94"	4	3/4"	5 1/2"	7.05	
3"	CSRFTHD1500300	7 1/2"	1 1/4"	3.57"	4	3/4"	6"	7.94	
4"	CSRFTHD1500400	9"	1 3/8"	4.57"	8	3/4"	7 1/2"	13.01	
5"	CSRFTHD1500500	10"	1 3/8"	5.66"	8	7/8"	8 1/2"	14.99	
6"	CSRFTHD1500600	11"	1 1/2"	6.72"	8	7/8"	9 1/2"	18.74	
8"	CSRFTHD1500800	13 1/2"	1 3/4"	8.72"	8	7/8"	11 3/4"	29.98	
10"	CSRFTHD1501000	16"	2"	10.88"	12	1"	14 1/4"	42.99	
12"	CSRFTHD1501200	19"	2 1/8"	12.88"	12	1"	17"	63.93	
14"	CSRFTHD1501400	21"	2 1/4"	14.14"	12	1 1/8"	18 3/4"	90.39	
16"	CSRFTHD1501600	23 1/2"	2 1/2"	16.16"	16	1 1/8"	21 1/4"	127.31	
18"	CSRFTHD1501800	25"	2 5/8"	18.18"	16	1 1/4"	22 3/4"	179.31	

☎ Call for price — (800) 878-5501.

All prices and specifications subject to change without notice.