

Sanitary Mini Stainless Steel Housing

ZenPure® Sanitary Mini Stainless Steel housings are designed for high purity applications. All wetted surfaces are constructed of 316L stainless steel and are electropolished, providing excellent corrosion resistance. The housings are compatible with 1.5, 2.5 and 5 inch Mini Filters to meet the needs of your small scale application.

The housing can support the 116 o-ring size where the o-rings are on the filter (code A) or the housing (code N). The design of the housing provides for a positive seal with the filters thereby preventing fluid bypass. The housing is sealed by the use of an easy to use tri-clamp that requires no special tools to open or close.

These sanitary mini stainless steel housings are ideal for laboratory, small production or pilot scale operations. The ZenPure mini filters utilized with these housing can be scaled up to as large as 40" filter.



Materials of Construction

Head: 316L Stainless Steel
 Bowl: 316L Stainless Steel
 Clamp: 304 Stainless Steel
 Center post with Seel plate: 316 Stainless Steel
 Vent/ Drain Plug: 316L Stainless Steel
 O-Rings: Silicone, EPDM, Viton

Dimensions (nominal)

Filter Lengths: 1.5in., 2.5in., 5in.
 Width: 2.5in (64 mm)

Connections

Inlet/ Outlet : ½", 1", 1.5" sanitary fitting
 Vent / Drain: welded valve, 1.4" FNPT,
 or no vent/drain

Finish

Electropolished

Operating Conditions

Max liquid operating pressure: 87 psi (6 bar)

Applications

Solvents	Ink
Fine Chemicals	Pilot Lab Applications
Plating Solutions	Pharmaceuticals
Process Water	Biologics
Beverages	Dyes
Parts Cleaning	Lacquers

Features

- Wide Chemical & Thermal Compatibility
- Three different sizes
- Tri-clamp for housing

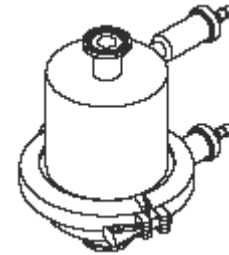
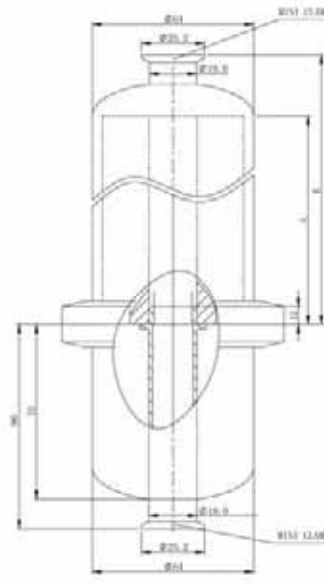
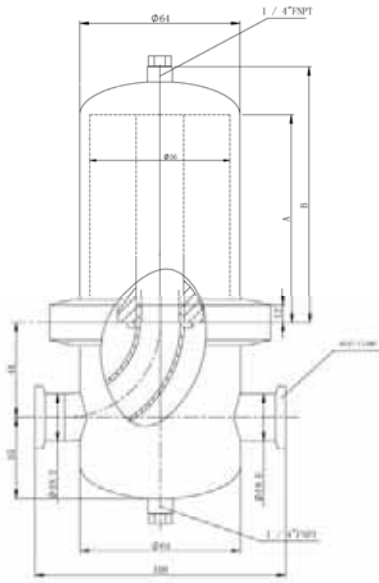
Benefits

- Provides excellent compatibility with a wide range of chemicals
- The electropolished finish eliminates possible contamination that could potentially leach into the process chemicals.
- Allows you to pick the amount of filtration area to minimize filtration cost and hold-up volume
- The housing allows for inspection of the filter before the housing is sealed
- Ease of filter change-out

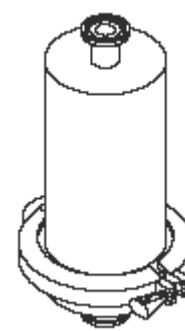
Sanitary Mini Stainless Steel Housing

T- Style

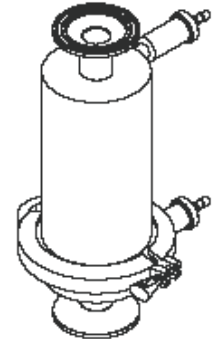
In Line- Style



With Vents



Without Vents



With 1" Sanitary Fittings

Dimensions	Overall Length (L) mm		
	1.5" Filter	2.5" Filter	5" Filter
In-Line	159	193	243
T-Line	159	189	241

Actual length will vary with different fittings

Sanitary Stainless Steel Mini-Housing Ordering Guide

Housing Construction	Material	Cartridge #	Cartridge Code	Length	Vent/ Drain	Body Style	Inlet/Outlet	Gasket Materials
SM = Sanitary Mini-Housings	P = 316L	O1 = 1 Round	A = compatible with a internal 116 oring on a Cartridge (typical) N = 116 o-ring on the Housing for the filter	O1 = 1.5" O2 = 2.5" O5 = 5"	V = Welded valves N = No V/D P = 1/4" FNPT (for T-Line)	T = T-LINE I = IN-LINE	A = 1/2" TC, 1/2" Pipe B = 1" TC, 1" Pipe C = 3/4" TC, 19mm Pipe F = 1/2" Butt weld pipe G = 1/4" NPT H = 3/8" Hose barb I = 3/8" FNPT J = 1/2" FNPT	E = EPDM S = SILICONE U = TES V = VITON
Example - 5" Sanitary T-line Mini SS housing with Silicon gasket, no Vent for 116 oring filter with 1" TC connection - SMP01A05NTBS								

Your Local Distributor:

ZenPure

North & South Americas:
ZenPure Americas, Inc
www.zenpure.com
Info-us@zenpure.com
703-335-9910

All Other Regions:
ZenPure Corporation
www.zenpure.com
info@zenpure.com
+86 571 2288 6800

ZenPure and PureFlo are registered trademarks of ZenPure Corporation or an affiliated company. Copyright 2003-2012 ZenPure or an affiliated company. All rights reserved.

