

Sanitary Stainless Steel Vent Housing

Atmospheric Tank Vent Housing

ZenPure® sanitary stainless steel vent housing is constructed of 316L stainless steel for high purity applications to allow venting of large and small tanks. The housing comes in 5" to 30" sizes to meet the needs of your application. The design provides a clean and easy way to provide filtered air into tanks as well as allowing gasses to flow out.

The housing can support filters with 2-226 o-rings. It provides a positive seal on the filters that will prevent any particulate bypass. The housing is sealed by the use of a tri-clamp that requires no special tools to open or close.



Applications	
Fine Chemicals	Ink Jets
Plating Solutions	Electronics
Process Water	Pharmaceuticals
Beverages	Biologics

Materials of Construction

- Head: 316L Stainless Steel
- Bowl: 316L Stainless Steel
- Clamp: 304 Stainless Steel
- O-Rings: Silicone, EPDM, Viton, PTFE

Dimensions (nominal)

- Lengths: 5 in., 10 in., 20 in., 30 in.,
- Width: 5.51 in. (140mm)

Connections

- Inlet/ Outlet: 1.5" Sanitary Fitting

Finish

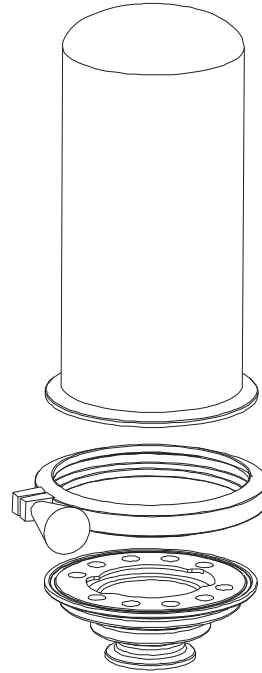
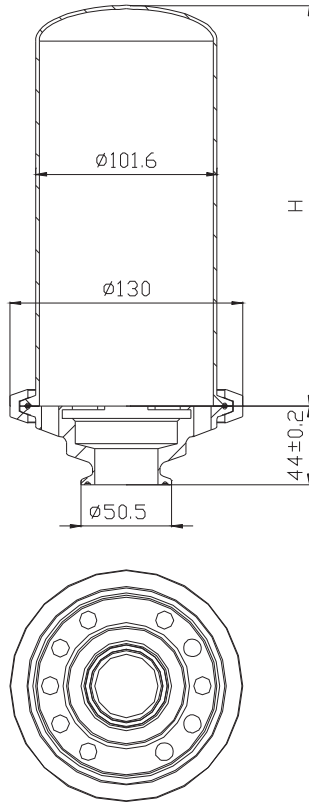
- Electropolished

Operating Conditions

- Max operating pressure: 145 psi (10 bar)

Features	Benefits
<ul style="list-style-type: none"> ■ Wide Chemical & Thermal Compatibility 	<ul style="list-style-type: none"> ■ Provides excellent compatibility with a wide range of chemicals ■ The electropolished finish eliminates possible contamination that could potentially leach into the process chemicals.
<ul style="list-style-type: none"> ■ Tri-clamp 	<ul style="list-style-type: none"> ■ The housing allows for inspection of the filter before the housing is sealed. ■ Easy filter change-out

Sanitary Stainless Steel Vent Housing



Nominal Length	H (Bowl Height)
5"	185mm (7.28")
10"	305mm (12.0")
20"	555mm (21.85")
30"	805mm (31.69")

Sanitary Stainless Steel Vent Housing Ordering Guide

Housing Construction	Material	Cartridge #	Cartridge Code	Length	CONNECTION	Gasket Materials
SV = Sanitary Vent Filter Housing	P = 316L	O1 = 1 Round	7 = 2-226	05 = 5" 10 = 10" 20 = 20" 30 = 30"	C = 1.5" Tri-clamp T2 = 2" Tri-clamp T3 = 3" Tri-clamp	E = EPDM S = Silicone V = Fluoro-elastomer F = PTFE
Example - 10" Sanitary SS Vent Housing with Silicon gasket for Code 7 filter with 1.5" Sanitary connection - SVP01710CS						

Your Local Distributor:

ZenPure

North & South Americas:
ZenPure Americas, Inc
www.zenpure.com
Info-us@zenpure.com
703-335-9910

All Other Regions:
ZenPure Corporation
www.zenpure.com
info@zenpure.com
+86 571 2288 6800

ZenPure and PureFlo are registered trademarks of ZenPure Corporation or an affiliated company. Copyright 2003-2012 ZenPure or an affiliated company. All rights reserved.

