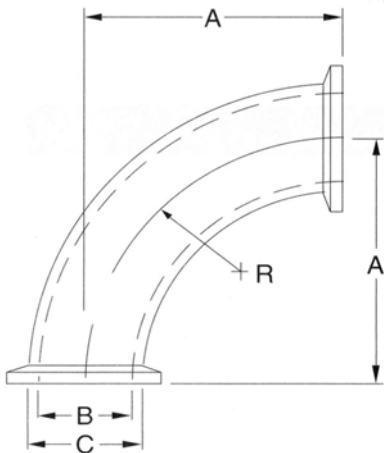


90° Elbow

Pure Process Latinoamerica

www.pure-process.com

atencion.clientes@pure-process.com



SIZE	PART#	A	B	C	R
MINI	(T,K)90075	2.50	0.560	0.750	2.50
MAXI	(T,K)90100	2.50	0.856	1.106	2.50
LADISH	(T,K)90100L	2.50	0.856	1.106	2.50
1 1/2"	(T,K)90150	2.75	1.356	1.606	2.75
2"	(T,K)90200	3.50	1.856	2.106	3.50
2 1/2"	(T,K)90250	4.25	2.356	2.606	4.25
3"	(T,K)90300	5.00	2.856	3.106	5.00

T = Polypropylene K = Kynar® (PVDF)

Tel: +52 (55) 6273-4046 / 6273-4047 / 6273-4048